



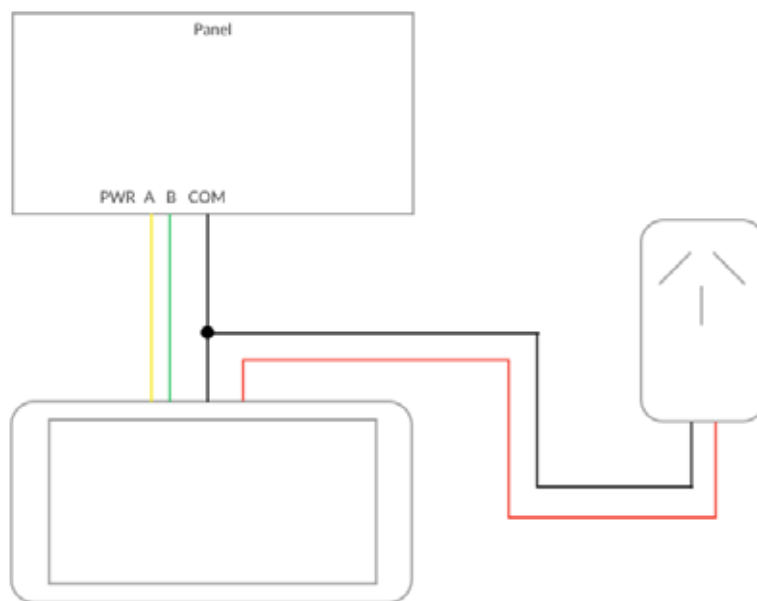
Installing an External Power Supply

When installing more than one TouchOne touchscreen, all TouchOne's except one must be powered with external power supplies.

12V DC 1500mA Power Adapter (we recommend 12VDC/1.5A Battery backed up PSU)

The red wire from the Wire Harness connects to the positive terminal. You will need to cut a piece of 0.5mm wire to connect from the negative terminal to the COM terminal on the control panel. The black wire from the Wire Harness will also need to go to the COM terminal. The rest of the wiring is as per the original.

Before powering up the TouchOne running off of the external power supply, you will need to set up the areas in the control panel, then address the TouchOnes and/or keypad as required.



Item	Location	Default	New	Item	Location	Default	New
Codepad 1 Area	0518	1		Codepad 2 Area	0519	0	
Codepad 3 Area	0520	0		Codepad 4 Area	0521	0	
Option							
0 = Codepad area not assigned 1 = Codepad assigned to Area 1				2 = Codepad assigned to Area 2 3 = Codepad assigned to both Area 1 and Area 2			

Setting the Correct Address

1

- Set the address for TouchOne

2 Generation 1

- Press and hold Bosch logo. Once you let go, the Change Address menu will open automatically.

2 Generation 2 and Mini TouchOne

- Touch Settings -> Advanced Settings -> Change Address -> Select Correct Address